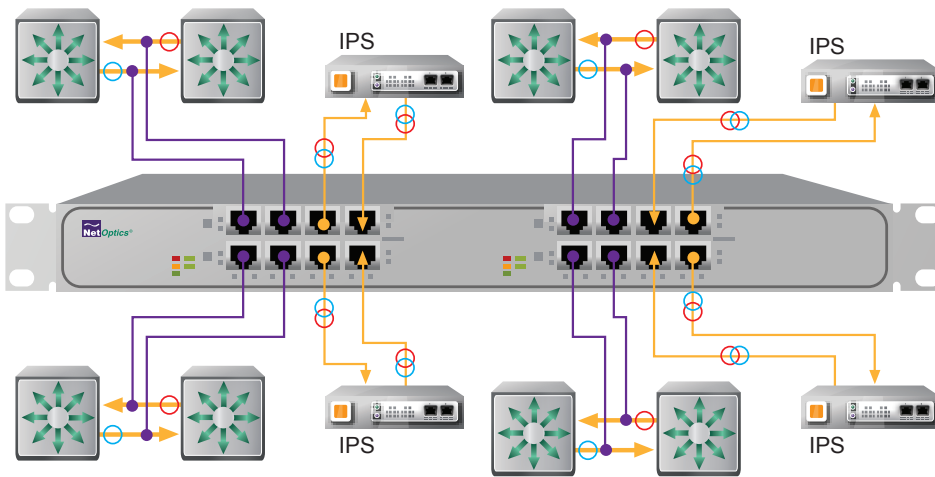


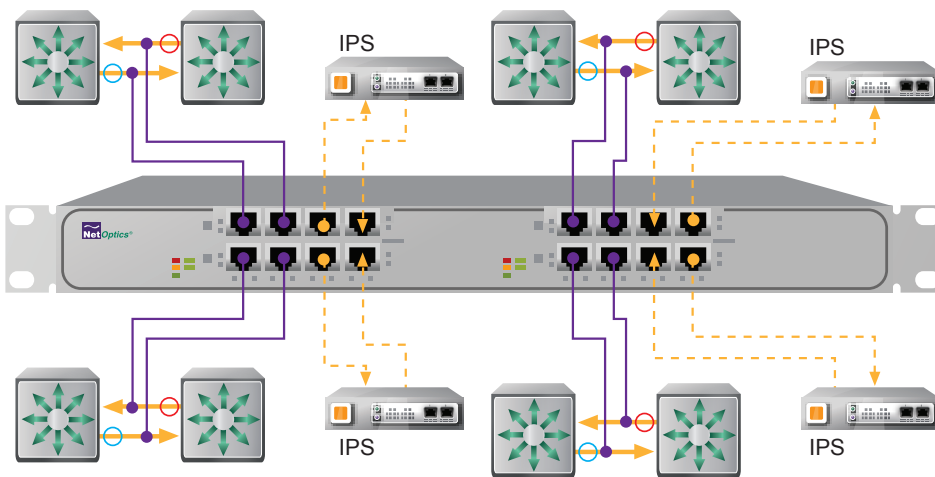
Multi-Segment Bypass w/Heartbeat Switch Disabled Mode



- 1 When any of the four Bypass Switch segments are in Bypass Disabled mode, all in-line traffic is routed through the IPS appliance.
- 2 Power to the four segments is ON and the heartbeat is being received on each of the four Monitor D Ports.



Multi-Segment Bypass w/Heartbeat Switch Enabled Mode



- 1 When the any of the four segments are in Bypass Enabled mode, all in-line traffic continues to flow on the network link without being directed through the IPS appliance.
- 2 Power to all four segments is ON and the heartbeat is sent and awaiting receipt on monitor port D.
- 3 Because in-line traffic is no longer flowing through any of the connected monitoring devices, each may be removed and replaced without downtime.