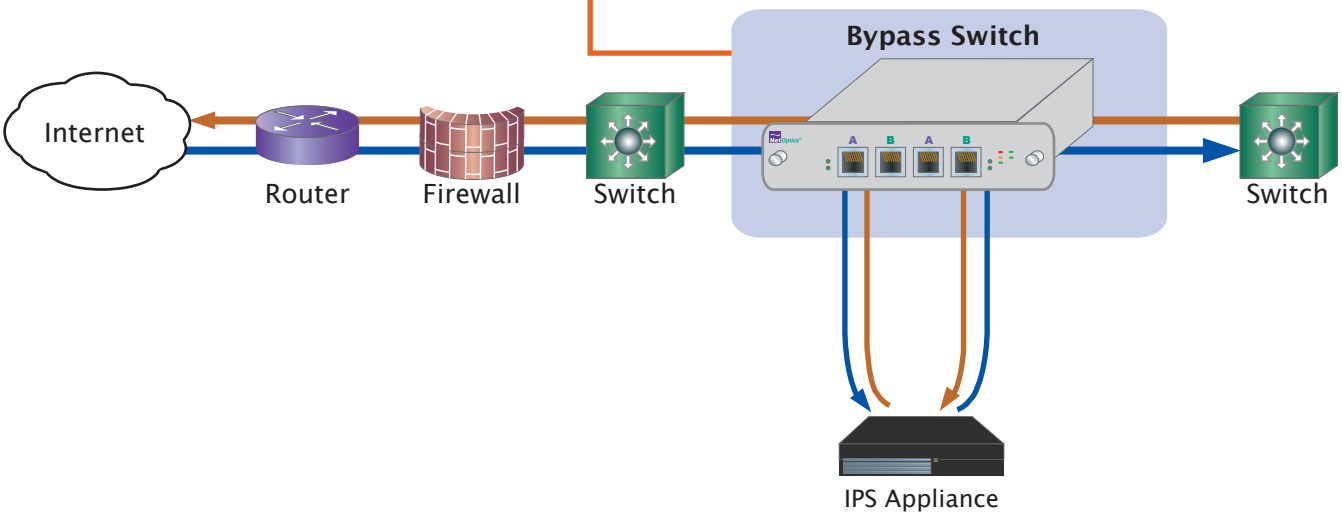


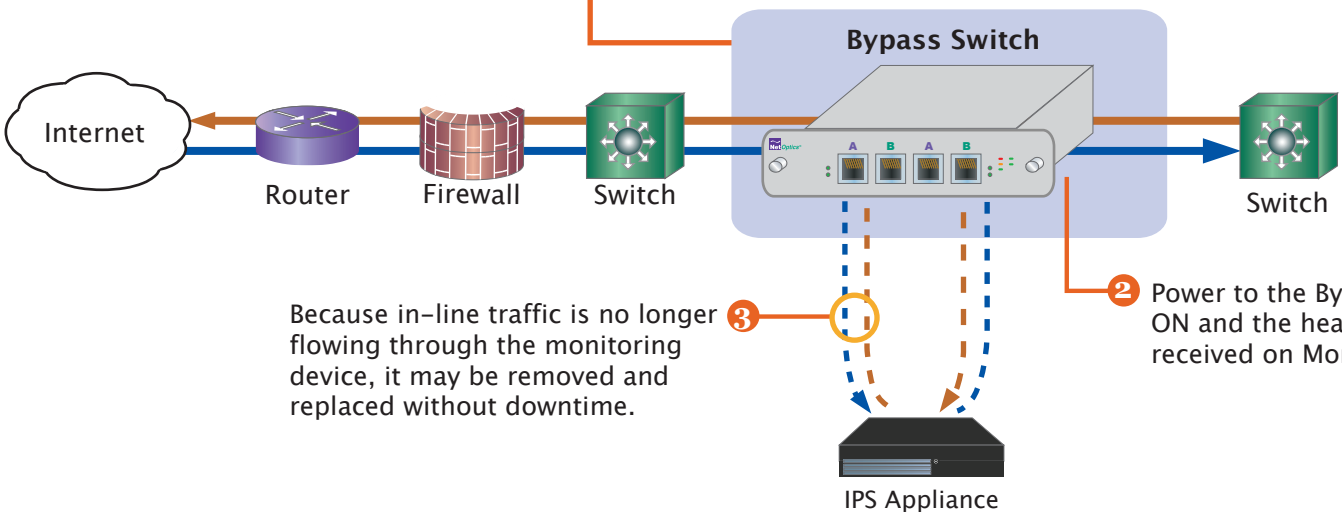
Bypass w/Heartbeat Switch Disabled Mode

1 When the Optical Bypass Switch is in Bypass Disabled mode, all in-line traffic is routed through the IPS appliance.



Bypass w/Heartbeat Switch Enabled Mode

1 When the Optical Bypass Switch is in Bypass Enabled mode, all in-line traffic continues to flow on the network link without being directed through the IPS appliance.



3 Because in-line traffic is no longer flowing through the monitoring device, it may be removed and replaced without downtime.

2 Power to the Bypass Switch is ON and the heartbeat is being received on Monitor Port D.