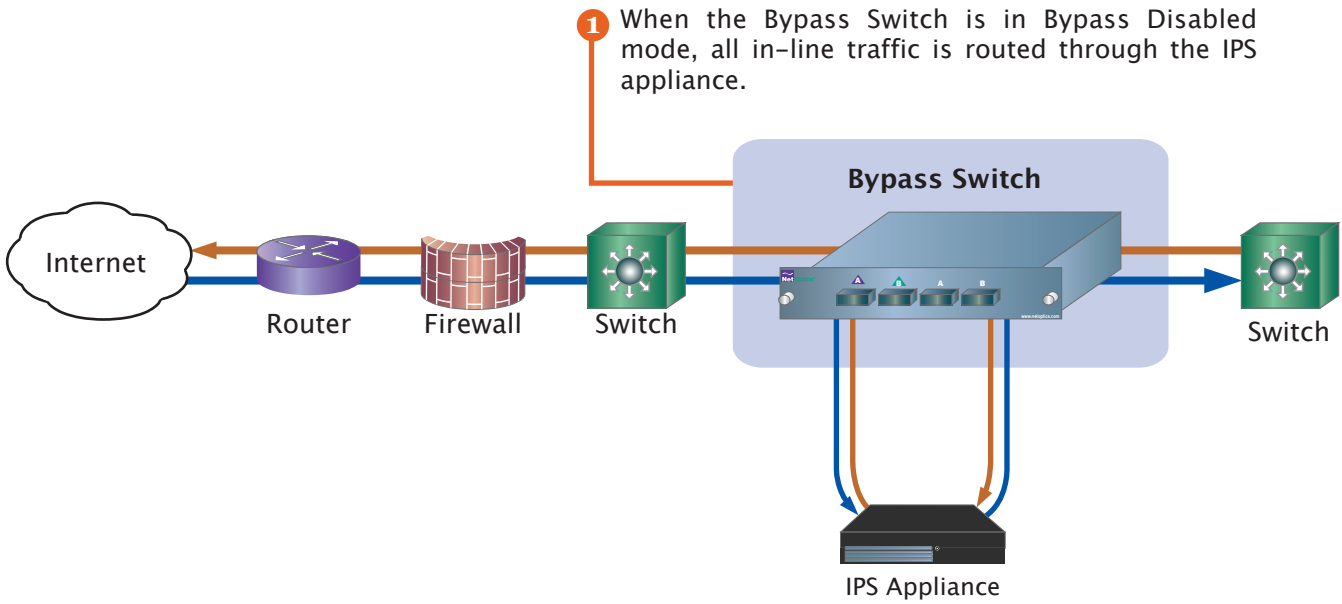


## Bypass Switch Disabled Mode



## Bypass Switch Enabled Mode

